



Backer Rod Mfg. Inc.

www.backerrod.com
Customer Service (800) 595 2950

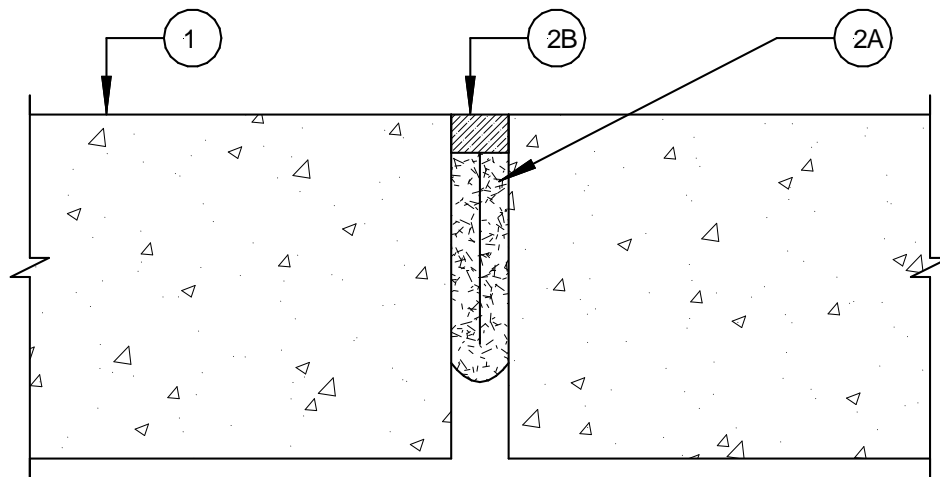


UL System No. FF-S-0009

March 22, 1996

Assembly Rating – 2 Hr

Joint Width – 3/4 In. Maximum



1. **Floor Assembly** – Min 4 1/2 in. thick reinforced lightweight or normal weight (100 – 150 pcf) structural concrete.
2. **Joint System** – Max width of the joint is 3/4 in. The joint system shall consist of the following:
 - A. **Forming Material*** - A nom 6 in. width of forming material shall be folded in half and firmly packed into joint opening as a permanent form. The thickness of the forming material is dependant upon the width of the joint. For joint openings up to 1/2 in. in width, the forming material shall be a min of 3/8 in. thick. For joint openings up to 3/4 in. in width, the forming materials shall be a min of 1/2 in. thick. Forming material shall be recessed from top surface of floor as required to accommodate the required thickness of fill material.
BACKER ROD MFG. INC. – ULTRA BLOCK®
 - B. **Fill, Void or Cavity Material*** - Min 1/2 in. thickness of fill material applied within the joint, flush with top surface of floor.
DOW CORNING CORP – DOW CORNING 790 or 795

*Bearing the UL Classification Mark