



Backer Rod Mfg. Inc.

www.backerrod.com

Customer Service (800) 595 2950

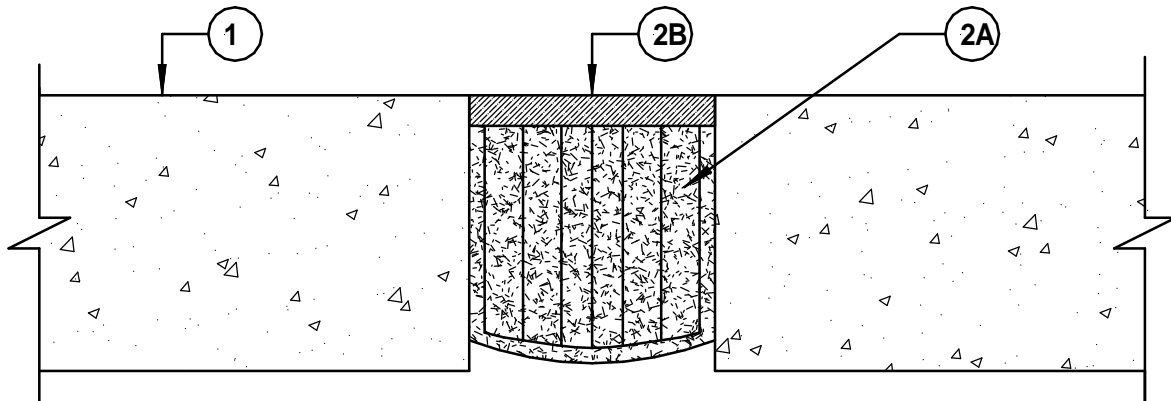


UL System No. FF-S-1032

March 31, 2005

Assembly Rating – 2 Hr

Joint Width – 4 In. Maximum



1. **Floor Assembly** – Min 4 ½ in. (114 mm) thick reinforced lightweight or normal weight (100 – 150 pcf or 1600-2400 kg/m³) structural concrete.
2. **Joint System** – Max width of the joint is 4 in. (102 mm) The joint system shall consist of the following:
 - A. **Forming Material*** - Min 11 in. (279 mm) width of forming material shall be folded in half, compressed min 40 percent in thickness and friction fitted into opening as a permanent form. Forming material to be recessed from top surface of floor to accommodate the required thickness of fill material.
BACKER ROD MFG. INC. – ULTRA BLOCK®
 - B. **Fill, Void or Cavity Material*- Sealant** - Min ½ in. (13 mm) thickness of fill material applied within the joint, flush with top surface of floor.
EGS NELSON FIRESTOP – CLK S/L (Self Leveling) Caulk or CLK N/S (Non-Sag) Caulk

*Bearing the UL Classification Mark